

**BLACKMAN CHARTER TOWNSHIP
BOARD MEETING AGENDA
Monday, October 21, 2024
6:00 PM**

CALL TO ORDER / PLEDGE OF ALLEGIANCE

BRIEF PUBLIC COMMENTS - (two-minute limit)

APPROVAL OF AGENDA

MINUTES APPROVAL

1. Approval of the minutes for the Regular Board Meeting held on Monday, September 16, 2024
2. Approval of the minutes for the Special Board Meeting held on Thursday, September 18, 2024

PRESENTATIONS

CONSENT AGENDA

1. Approval of payroll for the dates 9/13/24 in the amount of \$174,428.78, for 9/27/24 in the amount of \$184,457.08.
2. Approve transfers from General Fund to Public Safety Fund; \$200,000.00 on 9/9/2024 and \$200,000.00 on 9/17/2024 (\$400,000.00 total).
3. Approve to use ARPA funds to pay Public Safety September 2024 payroll in the amount of \$330,971.03.
4. Receive Revenue and Expenditure Report for the month of September 2024

SUPERVISOR'S UPDATE

1. Tompkins Township "Notice of Intent to Adopt the 2050 Master Plan (informational, see attached).
2. Sewage Treatment Plant line update (informational only).

TREASURER'S UPDATE

1. General Funds report (informational only), see attachment.

CLERK'S UPDATE

1. Request to approve increase in "Contract Employee" budget line from \$5,000 to \$7,500 (see attached).
2. Request to approve increase in per-hour amount for Contract Employee to \$20.00 per hour (see attached).
3. General Election update.

PUBLIC SAFETY

1. Authorize the approval of the 2024 Cleaning Allowance (per contract) of \$693.30 per officer, to be paid the first week of December from account #205-345-721.200, total not to exceed \$28,425.30
2. Dettman station agreement with JCA

PLANNING COMMISSION

1. Meeting Minutes (draft) Tuesday, October 15, 2024 (attached)
2. CASE #1582 – CONDITIONAL USE
Avenue Auto – Sales of Prefabricated Sheds and Gazebos
Zoning: Highway Commercial (C-3)
Requested by: Avenue Auto

Motion to the Board:

Approval of Case #1582 with condition that setback requirement from all property lines be a minimum of 5'-0".

ZONING BOARD OF APPEALS

PARKS & RECREATION

1. Replacement of slide, quote attached, \$5,534.25
2. Approval to purchase pole for park/internet, approval requested up to \$6,000.00.
3. Approval to accept low quote for Dog Park at Parnall Complex (excludes fence). 3 quotes attached.
4. Grants update.
5. 3 year Parks Budget update.

TECHNOLOGY COMMITTEE

UTILITIES COMMITTEE

1. Street Light update
2. Dettman Sewer Repair Agreement update

ORDINANCE REVIEW COMMITTEE

NEW BUSINESS

1. Approve payment of \$300,000.00 to MERS to fund the MERS Retiree Health Funding Vehicle as follows:\$120,000.00 from General Fund and \$180,000.00 from Public Safety Fund.
2. Approve payment of \$750,000.00 to MERS to fund the MERS defined Benefit Plan from the Public Safety Fund.
3. Approve door replacement at Township Office (lower and upper doors). 3 quotes attached, partially offset by \$18,000 grant received for project.
4. Appointment of Rachel Johnson to Parks Board to fill vacant seat of Jeff Kinney, term ending 12/31/2024.
5. Approve awarding of the snowplowing contract, quotes attached.
6. Review Public Safety Building RFQ responses, authorize Administrative Committee to begin negotiations for contract. See attachments.

BILLS

1. Approve payment of bills on the Board Invoice Post Audit Report dated 10/7/24 in the amount of \$176,264.83 and Board Invoice Report dated 10/22/24 in the amount of \$1,032,966.72.

EXTENDED PUBLIC COMMENT (Three-minute limit)

OPEN DISCUSSION

ADJOURNMENT

Regular Board Meeting
Blackman Charter Township
September 16, 2024

The Blackman Charter Township Board convened at 6:00 p.m. on Monday, September 16, 2024 at the Township Hall located at 1990 W. Parnall Road, Jackson, Michigan.

Members Present: Supervisor Jancek, Treasurer Preston, Clerk Elwell, Trustee Amb, Trustee Pack and Trustee Thomas.

Members Absent: Trustee Williams.

Public Attendance: Ray Snell, Carrie Wold, Joe Lawson

CALL TO ORDER/PLEDGE OF ALLEGIANCE

BRIEF PUBLIC COMMENTS – (two minutes limit)

1. **Ray Snell**, 9th District Commissioner. County has a meeting tomorrow. No decision has been made yet as to jail.

ADDITIONS/DELETIONS

1. Treasurer Preston requested that under the Planning Commission section the case number needs to reflect #1581, not #1580. Motion by Clerk Elwell, supported by Trustee Pack to approve Board of Trustee Agenda for the Regular Board Meeting held on September 16, 2024, with change.
Unanimously approved by voice vote.
2. Motion by Trustee Thomas, supported by Trustee Amb to approve the Board of Trustee minutes for Regular Board meeting held on August 19, 2024.
Unanimously approved by voice vote.

PRESENTATIONS:

1. **Carrie Wold, Jackson County District Library.**
 - a. Overview of the upcoming millage renewal for the library.

CONSENT AGENDA:

1. Approval of payroll for the dates 8/2/24 in the amount of \$181,276.59 and for 8/16/24 in the amount of \$214,189.89, for 8/30/24 in the amount of \$187,368.05.
2. Approve \$200,000.00 transfer of funds from General Fund to Public Safety Fund for the month of August 2024.
3. Receive Revenue and Expenditure Report for the month of August 2024.
Motioned by Trustee Thomas, supported by Clerk Elwell
Roll Call: Ayes – Amb, Thomas, Jancek, Elwell, Preston, Pack
Nays – none **Motion carried.**

SUPERVISOR'S UPDATE:

1. Flags next door are for the upcoming trail loop project.
2. Leoni has approved the request for \$239,000.00 for payment of the Dettman sewer.
3. Streetlight Fund will not have a surplus. Discussions with Consumers Energy to see where increase is needed. Rates will need to be increased soon.
(Discussion followed as to who should be billed, how much it will increase, and changing over from old lighting to LED will reduce costs. By the end of December, the account

will be at zero. There are 4100 special assessments for streetlights.) Once discussions are finished with Consumers the Supervisor will relay the information to board members.

TREASURER'S UPDATE:

1. Tax collection time. We have collected 91% of the taxes owed, which is about the same as last year. However, there are more people paying with credit cards than ever before. There was \$1,000,000.00 paid total and of that \$470,000.00 was paid directly at the front counter.

CLERK'S UPDATE:

1. Grant Update: \$18,000 grant was awarded. Contacted Jackson Glass Works to give us a ballpark estimate as our grant expires on May 30, 2025.
2. General Election Update: applications and absent voter ballot requests keep us busy.
3. Public Safety Building RFQ update: it is posted on the website and is advertised with a 9/26/24 due date.
4. Public Safety Millage Language. We received the November ballot proof, however, the public safety millage language is incorrect in that it states that "Shall the **expired** voted increase..." when, in fact, the actual current millage does not expire until December. After conferring with Attorney White and the County Election Commission, there needs to be a change made.

*Motion by Clerk Elwell, supported by Supervisor Jancek, to change the language to read as follows: "Shall the **previous** voted increase in the tax limitation imposed under Article 9, Section 6 of the Michigan Constitution in the Charter Township of Blackman, of 2 mills (\$2.00 per \$1,000 of taxable value) be renewed at the original voted 2 mills (\$2.00 per \$1,000 of taxable value) and levied for 5 years, 2025 through 2029 inclusive, for the operations and equipment for the Township's Public Safety Department, raising an estimated \$1,285,505.45 in the first year the millage is levied?"*

Roll call: Ayes: Jancek, Preston, Pack, Thomas, Elwell, Ambs
Nays: None **Motion carried.**

PUBLIC SAFETY: Just keeping busy.

PLANNING COMMISSION:

1. Case #1581 – CONDITIONAL USE Airport – Solar Array Carport
Address: 3606 Wildwood Ave Parcel #000-08-32-101-001-00
Zoning: Light Industrial (I-1)
Requested by: Harvest Solar (Evan Rohloff)
Presented by: Harvest Solar (Evan Rohloff)
Solar array mounted on carports located in existing parking lot.
Public Comment: None
Planning Commission Discussion: Location of electrical equipment adjacent to drive entry. Suggestion to relocate to north of solar carports or east side of solar carports. away from traffic. Fence and bollards to be shown on site plan submittal.

Motion by Preston, seconded by Frohm to recommend approval of Case #1581.

Motion by Treasurer Preston, supported by Clerk Elwell, to approve the Planning Commission's recommendation.

Roll Call: Ayes: Preston, Thomas, Jancek, Ambs, Elwell, Pack

Nays: None

Motion carried.

1. Master Plan Work. Region 2 will be giving the Township an update. They are developing a questionnaire to be sent out.

PARKS & RECREATION:

1. There is a grant application in the works with 3 more coming. We are also waiting to hear some information regarding the naming rights for the pavilion at Marinos.

TECHNOLOGY COMMITTEE:

No meeting

UTILITIES COMMITTEE:

No meeting

ORDINANCE REVIEW COMMITTEE:

No meeting

NEW BUSINESS:

1. Mission statement. The word "agricultural" was left off the last time. It was intended for it to be included and has been added.

Motion by Treasurer Preston, supported by Clerk Elwell, to approve the Mission statement, with the word "agricultural" added.

Roll Call: Ayes: Jancek, Ambs, Pack, Elwell, Preston, Thomas

Nays: None

Motion carried.

BILLS:

Motion by Trustee Thomas, supported by Treasurer Preston, to approve payment of the Bills on the Board Invoice Post Audit Report dated September 4, 2024, in the amount of \$319,828.91 and the Board Invoice Report dated 9/17/24 in the amount of \$276,034.76.

Roll Call: Ayes: Thomas, Ambs, Elwell, Jancek, Pack, Preston

Nays: None

Motion carried.

EXTENDED PUBLIC COMMENT:

1. Joe Lawson from Consumer's Energy spoke about the tall grasses they have planted on the east side as covering for the project. Clerk Elwell asked if they could plant the tall grasses along Blackman Road instead of just filling it in with trees. Mr. Lawson said that they would look into that request and see about the cost compared to just planting trees.

OPEN DISCUSSION:

Treasurer Preston stated that he had gone to a GREAT meeting, and someone was asking about Canary Lane and why we withdrew our grant request. There are some thoughts about combining with the GREAT group and asking if Jackson County Parks & Recreation would like to buy it for a boat launch.

ADJOURNMENT: Supervisor Jancek adjourned at 6:40 p.m.

David Elwell, Township Clerk

DRAFT

Special Board Meeting
Blackman Charter Township
September 18, 2024

The Blackman Charter Township Board convened at 6:00 p.m. on Wednesday, September 18, 2024 at the Township Hall, 1990 West Parnall Road, Jackson, Michigan.

Members present: Supervisor Jancek, Clerk Elwell, Treasurer Preston, and Trustees: Pack, Ambs, Thomas

Members absent: Trustee: Williams

Public Attendance:

Greg Brunek

Isaiah Carter

Joe Lawson

CALL TO ORDER / PLEDGE OF ALLEGIANCE

BRIEF PUBLIC COMMENTS - (two-minute limit)

None

ADDITIONS / DELETIONS

1. No additions/deletions

Motion by Jancek, supported by Thomas to approve the Board of Trustee agenda for the Special Board Meeting held on Wednesday, September 18, 2024.

Unanimously approved by voice vote

Motion by Jancek, supported by Pack, to excuse Trustee Brandon Williams.

Unanimously approved by voice vote

PLANNING COMMISSION

1) **Planning Commission** CASE #1580 – **CONDITIONAL USE** Blackman Solar Garden
Address: 0 Blackman Road, Jackson, MI 49201 Parcel #000-08-19-601-003-03 Zoning:
Agricultural (AG) Requested by: Consumers Energy (Joe Lawson) Presented by:
Consumers Energy (Joe Lawson) -Solar garden with direct connection to Consumers
Energy substation -Approximately 30 acres

Motion: By Preston, supported by Elwell, to approve Case #1580 (Conditional Use)

Ayes: Ambs, Elwell, Jancek, Preston, Thomas

Nays: Pack

Motion carried.

EXTENDED PUBLIC COMMENT (Three-minute limit)

None

OPEN DISCUSSION

None

The Supervisor declared the meeting adjourned at 6:20 pm.

David Elwell, Township Clerk

TOMPKINS TOWNSHIP
Melanie Curran, Clerk
9999 Tompkins Rd. Rives Jct., MI 49277
517-569-2463 / 517-740-2122
tompkinstwp-mi.org

To: Contiguous Municipal Legislative Bodies, County Planning, and Public Utilities

From: Tompkins Township Board of Trustees/ Tompkins Planning Commission

Date: October 2, 2024

RE: Notice of Intent to Adopt the 2050 Master Plan

Tompkins Township is requesting your cooperation and comments.

Tompkins Township Planning Commission has recently completed a review of the 2025 Master Plan. The 2025 Master Plan was adopted March 3, 2009, and has been reviewed every 5 years. This is the final review of the 2025 Master Plan to create the 2050 Master Plan made up of 2025 Master Plan and all the addendums. Additionally, the population information has not significantly changed from 2009 with varying data so no change was considered to population.

Tompkins Township Board will review the 2050 Master Plan after the 63 day requirement for all reviewing agencies, and if approved the adoption process may continue. Adoption of the 2050 Master Plan will follow after proper publication. Additionally the Master Plan 2025 with the 2015 Addendums will be visible on the township website: www.tompkinstwp-mi.org/planning-commission.

We thank you for your consideration in this matter. If you have any questions or comments on the Tompkins Township 2050 Master Plan process at this time contact the Township Clerk by mail at the above address.

Sincerely,



Melanie Curran
Tompkins Township Clerk
Planning Commission Member

Treasurer

From: Treasurer
Sent: Tuesday, October 15, 2024 10:39 AM
To: Clerk; Supervisor
Cc: Linda Arntz; Dep Treasurer
Subject: General funds Report for Board meeting

General Funds Total, as of 9/30/2024

| | |
|------------------|---|
| *GF checking, | 4,400,000 |
| Mich Class | 2,451,607 |
| Amerprise Broker | <u>1,507,205</u> (\$460,000 invested to 2028) |
| Total funds | 8,358,812 |

From: Linda Arntz <larntz@blackmantwp.com>
Sent: Tuesday, October 15, 2024 9:45 AM
To: Treasurer <treasurer@blackmantwp.com>
Cc: Supervisor <supervisor@blackmantwp.com>; Clerk <clerk@blackmantwp.com>
Subject: General Fund Checking Balance

Phil,

The GF checking balance is \$4.4 million.

Thanks,

Linda Arntz
Accounting/HR
Blackman Charter Township
1990 W Parnall Rd, Jackson MI 49201
larntz@blackmantwp.com
517-990-8230

| | A | B | C | D | E | F | G | H | I | J | K | L | M | N | O | |
|----|--|--|---------------|-----------------------------|----------------|--------------|---|---------------------------|---|---|------------------|---|---|---|---|--|
| 1 | | | | | | | | | | | | | | | | |
| 2 | GENERAL FUNDS INVESTMENTS, Bker Acc xxxxxx4721 + others | | | | | | | | | | | | | | | |
| 3 | Account purpose: earn interest while coordinating expenditures WITH board meetings for APPROVALS | | | | | | | | | | | | | | | |
| 4 | | | | | | | | | | | | | | | | |
| 5 | date purchased / opened | cusip & interest update | Date Maturing | \$ INVESTED (cost basis) | current cash | mkt value | cash available in bker account | unrealized gain / loss | accrued interest | NOTES \$ FROM XXXX1102, | interest rate | | | | | |
| 6 | 10/26/2022 | 912796Y12 | 10/5/2023 | 191,901.00 | | 200,000 | 8099 | | | \$ from xxx1102, Com checking account | 4.43 | | | | | |
| 7 | 10/31/2022 | | | | | | 8101.63 | | | | | | | | | |
| 8 | 12/31/2022 | 912796Y12 | 10/5/2023 | \$200,040.81 | | \$201,381.81 | \$8,139.81 | \$1,341.00 | 0 | | | | | | | |
| 9 | 10/26/2022 | 912796Y12 | 10/5/2023 | 191,901.00 | | 200,000 | 8154.29 | | | \$ from xxx1102, Com checking account | 5.43 | | | | | |
| 10 | 10/31/2022 | | | | | | 8174.695 | | | | | | | | | |
| 11 | 12/31/2022 | 912796Y12 | 10/5/2023 | \$200,040.81 | | \$201,381.81 | \$8,195.10 | \$1,341.00 | 0 | | | | | | | |
| 12 | purchas 7/11/23 | trv55608118 | 10/31/2023 | \$112,258.21 | | | | | | 114,000 at M. | 5.07 % rate | | | | | |
| 13 | | | | | | | | | | | | | | | | |
| 14 | T bill 7/18/2023 | -Com bker | 11/14/2023 | \$1,299,385.49 | | | | | | pays 1,321,000 at mat | 5 | | | | | |
| 15 | | | | | | | | | | | | | | | | |
| 16 | 11/2/2023 moved from sewer spread sheet | Mi Class MI-01-0070- 0001 becomes -0002 | ongoing | \$962,309.77 | \$962,309.77 | liquid | record of \$ moved from sewer spread sheet to G funds. | | 4474.71 Oct interest. | 5.52 on 10/31 | | | | | | |
| 17 | 11/7/2023 | Mich Class General- 0002 | ongoing | \$1,176,347.98 | \$2,138,657.75 | liquid | | | transfer from Mclass sewer to Mclass Gen fund-paying off sewer loan to gen fund | 5.52 on 10/31 | | | | | | |
| 18 | Monthly | Mich Class General- 0002 | | \$10,146.51 | \$2,157,495.76 | | | | 10,146.51 INT FOR Dec | | | | | | | |
| 19 | | M Class Gen-0002 | | \$10,139.21 | \$2,167,634.97 | | | | 10139.21 int for Jan | | | | | | | |
| 20 | | M Class Gen-0002 | | \$9,385.21 | \$2,177,020.18 | | | | feb interest. mar int. + 200569.64 from Com bker | | | | | | | |
| 21 | April | M Class Gen-0002 | | \$10,001.50 | \$2,397,314.24 | | | | | | | | | | | |
| 22 | May | M Class Gen-0002 | | \$10,963.25 | \$2,408,277.49 | | | | | | | | | | | |
| 23 | June | M Class Gen-0002 | | \$10,660.44 | \$2,418,937.93 | | | | | | 5.413 | | | | | |
| 24 | July | M Class Gen-0002 | | \$11,098.32 | \$2,430,036.25 | | | | | | 5.377 | | | | | |
| 25 | | | | | | | | | | | | | | | | |
| 26 | Sept | | | \$10,495.38 | \$2,451,607.83 | | | | | | 4.979 | | | | | |
| 27 | Am 1 cu MM | xxxxx682, -09 | ongoing | 104,394.03 | 104,394.03 | 104,394.03 | | | | moved from sewer bker spread sheet 11/15- pd 88.59 int for Oct | | | | | | |



Account Statement

September 30, 2024

Page 3 of 5

Account Number: MI-01-0070-0002

GENERAL FUND

Account Summary

Average Monthly Yield: 5.2346%

| | Beginning Balance | Contributions | Withdrawals | Income Earned | Income Earned YTD | Average Daily Balance | Month End Balance |
|----------------|-------------------|---------------|-------------|---------------|-------------------|-----------------------|-------------------|
| Michigan CLASS | 2,441,112.45 | 0.00 | 0.00 | 10,495.38 | 93,542.43 | 2,446,744.36 | 2,451,607.83 |

Transaction Activity

| Transaction Date | Transaction Description | Contributions | Withdrawals | Balance | Transaction Number |
|------------------|------------------------------|---------------|-------------|--------------|--------------------|
| 09/01/2024 | Beginning Balance | | | 2,441,112.45 | |
| 09/30/2024 | Income Dividend Reinvestment | 10,495.38 | | | |
| 09/30/2024 | Ending Balance | | | 2,451,607.83 | |

Tel: (855) 382-0496

<https://www.michiganclass.org/>

Fellow Board members:

This is regarding item #'s 1 & 2 under the clerk's portion of the agenda for 10-21-24.

1. I am requesting to increase the expenditure limit on the line-item for "Contract Employee" (under Elections, 101-262-805-000) to \$7,500.00 (from \$5,000.00).

Shelly is the only current Contract Employee, and the board had allowed \$5,000.00 for that line-item in the budget. As you know, with Janet off for several months, especially during this major election season, Shelly has been willing to fill in as needed, more than originally planned. We are at the currently authorized limit, and although I expect Janet will likely be back next week (or soon thereafter), Shelly is still a crucial element to our successful election season. I anticipate we will be well below \$7,500.00, but ask it be increased to that to be safe. It is noteworthy to mention that Janet's wage line is down (more than the requested increase) due to her being off.

2. As noted with Janet being off, I have had Shelly maintain her certifications in QVF/Elections. Although the "Contract Employee" line in the elections budget has historically been for just basic assistance checking in or sorting ballots, Shelly's abilities and actual work goes way above and beyond that, in fact doing most of the election functions that are typically done by our Deputy Clerk.

Accordingly, I am requesting the board approve adjusting her contractual hourly rate from \$17.50 to \$20.00 for all hours she has worked since her last payroll submittal (last week), through this election. I anticipate that assuming Janet is back soon, Shelly will be done shortly after the conclusion of the election on November 5, 2024.

My thanks,



David K. Elwell

MINUTES
BLACKMAN CHARTER TOWNSHIP
PLANNING COMMISSION
1990 W. PARNALL RD.
Tuesday October 15, 2024
6:00PM

The Blackman Charter Township Planning Commission Convened at 6:00pm on Tuesday, October 15, 2024 at the Blackman Township Office.

Members Present: Decker, Preston, Schroeder, Frohm
Members Absent: Grabert

Sign-in list of names present: In file

MINUTES APPROVAL: September 17, 2024

Motion by: **Schroeder**, supported by: **Preston** to approve Minutes for Planning Commission meeting held 09/17/2024.

Roll Call: Ayes 4, Nays 0. Motion Carried.

CASE #1582 – CONDITIONAL USE

Avenue Auto – Sales of Prefabricated Sheds and Gazebos

Address: TBD

Parcel #000-08-132-477-001-02

Zoning: Highway Commercial (C-3)

Requested by: Avenue Auto

Presented by: Avenue Auto

-Discussed the conditional use permit request for sales of sheds and gazebos.

Public Comment: None

Planning Commission Discussion: Similar use as car sales section 4.4.3 (a)(3) and reference for conditional use requirement section 4.4.3 (b)(6). No reference to specific setbacks are described in Zoning and determined to be similar to setbacks previously requested for car sales lots as 5'-0" off property lines.

Motion by: **Preston** Seconded by **Frohm** to recommend approval of Case #1582 with condition that setback requirement from all property lines be a minimum of 5'-0".

Roll Calls: Ayes 4, Nays 0. Motions carried.

CASE #99.2024 – SITE PLAN

Consumers Energy – Solar Array Garden

Address: TBD

Parcel #000-08-19-301-003-03

Zoning: Agricultural (AG-1)

Requested by: Consumers Energy (Joseph Lawson)

Presented by: Consumers Energy (Joseph Lawson)

-Solar garden located on Blackman Rd near existing Consumers substation.

-Site was planted with ground vegetation and grass screening on East and South property line

-Waiting on Jackson County Drain Commissioner approval.

-Noise report clarified

-Decommission plan clarified and decommission cost around \$730,000

Public Comment: None

Planning Commission Discussion:

-Discussion about decommission cost today verse in approximately 30 years with inflation.
Motion by: **Preston** Seconded by **Frohm** to approve Case #99.2024 with conditions as follows:
-Approval from Jackson County Drain Commissioner and Jackson County Road Commission.
-Decommission bond to be issued in the amount defined in decommissioning plan and bond to reevaluate every 10 years to reflect reevaluated decommissioning plan/cost.
-Screening to be provided along Blackman Rd.
Roll Calls: Ayes 4, Nays 0. Motions carried.

OTHER MATTERS REVIEWED:

Zoning Ordinance Update:

-Request special meeting on October 29, 2024
-Review at special meeting on October 29, 2024

Master Plan Update:

-Region 2 presented draft public questionnaire to planning commission for review and comment.
-Review at special meeting on October 29, 2024

PUBLIC COMMENT: None

TRUSTEE REPORT: None

ZBA REPORT: None

OPEN DISCUSSION: None

ADJOURNMENT: Motion by: **Decker**, supported by: **Schroeder**, adjourned at 8:12 pm

Minutes prepared by: Byron Schroeder, Secretary

Minutes Approved:

Byron P. Schroeder, Secretary



| CONSULTANT | |
|-----------------|----------------|
| Keith Alexander | (734) 560-5537 |

| QUOTE | |
|-------|--|
|-------|--|

| Quote Date | Valid Until |
|----------------|--------------|
| 10/16/2024 | 11/15/2024 |
| Est. Delivery: | Est. Install |
| 4-6 Weeks | |

| CUSTOMER INFORMATION | |
|----------------------|--|
|----------------------|--|

Customer: Blackman Township
 Contact: Phil Preston
 Contact Info: 517-788-4345 ext 8226 ppreston@blackmantwp.com
 Project Name: Blackman Township Rod Mills Park Replacement Slide
 Site Address: 3300 W Parnall Rd., Jackson, MI 49201
 End User: Blackman Township
 Ship To:

| ITEM | DESCRIPTION | QTY | EACH | TOTAL |
|---------|--|-----|------------|------------|
| 7147265 | Mogul Slide- One piece (5' deck) | 1 | \$2,951.30 | \$2,951.30 |
| FREIGHT | Shipping of Miracle equipment | 1 | \$512.95 | \$512.95 |
| INSTALL | Removal and disposal of existing slide and footings and installation of new slide. Does not include unloading of slide. Does not include any site preparation or site excavation. Does not include any soil erosion prevention or site restoration. Does not include any permits or inspections. Does not include prevailing wage. | 1 | \$2,070.00 | \$2,070.00 |

| | | | |
|-----|--|--------------|-------------------|
| TAX | Estimated Sales Tax (please provide tax exemption certificate to remove sales tax) | 6.00% | TBD |
| | Final Prices Subject to State and Local Sales Tax and Use Tax Rate | TOTAL | \$5,534.25 |

Make Payable to: **webuildfun, Inc PO Box 29, Allen, TX 75013**

Payment Terms **Net 30** To be invoiced in full upon completion of project.

Prices reflected on quote assumes all site work to be done by others unless noted above.
 * All drainage within the playground border and away from the play area to be done by "other" unless noted above. * Price assumes border by "other" unless noted above.
 * No site restoration is included unless noted above. * Additionally, no bond or special insurance coverages are included unless noted above.

Pricing may not be guaranteed beyond 30 days. We are attempting to hold pricing when possible, but due to material and labor costs, price increases have unfortunately become unavoidable. We value our customers and appreciate your understanding during these unprecedented times. All finalized contracts and/or purchase orders must be accompanied by a valid quote within 30 days of issue. Please request a requote when beyond the 30 days.

Approval Signature _____ Date _____ PO Number _____

Send completed quote and purchase order to: **keith@webuildfun.com**

| PLEASE RETURN ALL PAGES OF THIS QUOTE UPON ORDERING |
|---|
|---|

Price assumes all site work, drainage away from play area & border to be provided by "other" at no cost to webuildfun unless specified otherwise in the quote above. This includes site prep, grade work, drainage, construction fencing, concrete borders and site restoration. All additional services can be quoted upon request. webuildfun, inc. warrants the labor for replacement parts for 1 year, if webuildfun, inc provided the original installation. In the event rock is encountered, additional charges may be assessed. It is the responsibility of the owner to obtain permit(s) unless specified above. It is the responsibility of the owner to locate all underground utility lines. webuildfun, Inc will assist with this by requesting a line locate from Dig Tess, at the owner's request. webuildfun, Inc will make every reasonable effort to respect all marked utility lines, and will repair damage(s) caused by webuildfun, Inc to marked utilities. webuildfun, Inc will not be responsible for damage to unmarked utilities. Prices are guaranteed for 30 days from the date listed on quote.



| CONSULTANT | |
|-----------------|----------------|
| Keith Alexander | (734) 560-5537 |

QUOTE

| | |
|----------------|--------------|
| Quote Date | Valid Until |
| 10/16/2024 | 11/15/2024 |
| Est. Delivery: | Est. Install |
| 4-6 Weeks | |

| Project Total | |
|-------------------|--|
| \$5,534.25 | |

Purchase Order # _____

CUSTOMER INFORMATION

Customer: Blackman Township
 Contact: Phil Preston
 Contact Info: 517-788-4345 ext 8226 ppreston@blackmantwp.com
 Project Name: Blackman Township Rod Mills Park Replacement Slide
 Site Address: 3300 W Parnall Rd., Jackson, MI 49201
 End User: Blackman Township
 Ship To:

Please provide the following information:

Project Name: **Blackman Township Rod Mills Park Replacement Slide**

Est Project Start Date: _____ Bond Required _____
 Est Project Completion Date: _____ Contract Required _____

Add'l Details: _____

PROJECT DETAILS

| SHIPPING INFO | | INVOICE INFO | |
|------------------|-------|------------------|-------|
| Company | _____ | Company | _____ |
| Street Address | _____ | Street Address | _____ |
| City, State, Zip | _____ | City, State, Zip | _____ |
| Contact: | _____ | Contact: | _____ |
| Phone # | _____ | Phone # | _____ |
| Email: | _____ | Email: | _____ |

Initial here to approve colors shown above

PLEASE RETURN ALL PAGES OF THIS QUOTE UPON ORDERING

Fellow Board members:

This is regarding item #2 under the Parks portion of the agenda for 10-21-24.

2. We are requesting the expenditure of up to \$6,000.00, from the Parks budget, for a utility pole (cost of it, including transportation to the park).

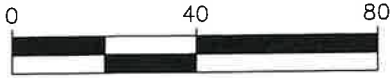
As we have been reporting, the Camera (and water/electrical upgrades) and Rod Mills park are complete. The camera system is up and running, but due to height issues (clearance over the trees), there is no remote connection of the cameras.

In brief, the trees are blocking the line-of-sight to the current pole and dish from the dish on the water tower. There was a miscalculation of the height of the water tower, which left the current pole too low. A taller pole is needed.

We have located the source for utility company poles in Michigan, and they have given us a verbal price of approximately \$5,400.00 for the proper length pole (85'), transported to the park. Our provider that installed the cameras and pole advises they can install a pole that tall, they just don't have access to one, nor the ability to transport it.

We have been working on this for some time, and believe there is a high likelihood that we will be awarded a grant, from an unnamed local source, to likely fully reimburse us for this cost.

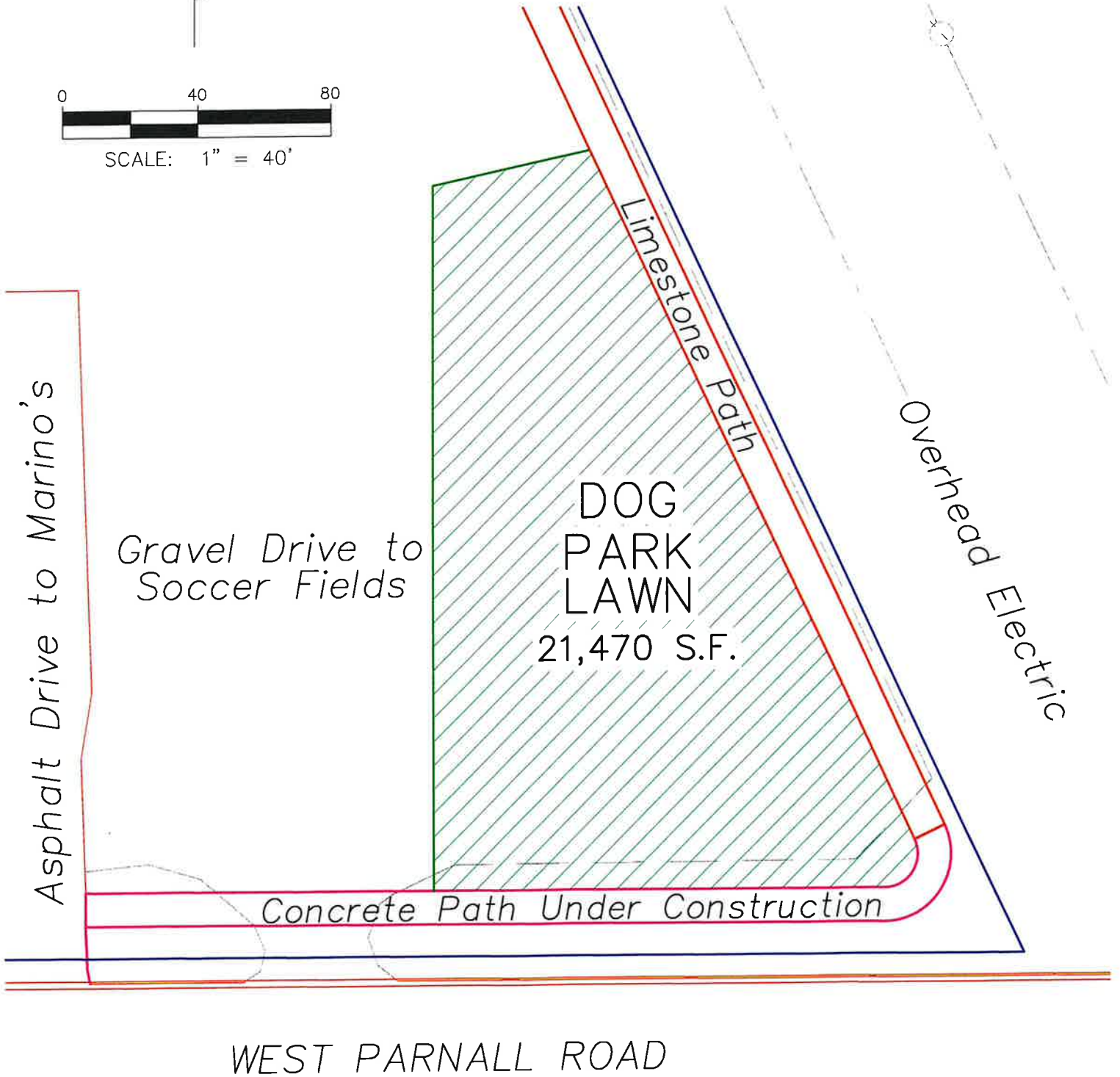
N



SCALE: 1" = 40'

PROPOSED DOG PARK LAWN PROPOSAL

1. DUE BY NOON ON OCTOBER 17, 2024.
2. STRIP VEGETATION AND REMOVE FROM SITE.
3. INSTALL AND GRADE 3" OF SCREENED TOPSOIL.
4. SEED WITH A MDOT THM MIXTURE WITH FERTILIZER AND MULCH.



PROPOSAL

Concord Excavating & Grading, Inc.

P.O. Box 250
Concord, MI 49237
(517) 524-8365
Fax (517) 524-8363

October 17, 2024

| | |
|--|------------------------------------|
| TO: BLACKMAN TOWNSHIP ATTN: JACK RIPSTRA 1990 W. PARNALL ROAD JACKSON, MI 49201 | JOB: DOG PARK - 21,470 S.F. |
|--|------------------------------------|

DEAR JACK,

PER YOUR REQUEST, CONCORD EXCAVATING IS PLEASED TO SUBMIT A QUOTE TO YOU ON THE ABOVE-NAMED PROJECT AS FOLLOWS:

1. STRIP VEGETATION - 21,470 S.F.
2. PLACE 3" OF SCREENED TOPSOIL OVER AREA
3. PLACE GRASS SEED AND STRAW OVER AREA

LUMP SUM \$ 7,753.00

IF YOU HAVE ANY QUESTIONS, PLEASE FEEL FREE TO CALL ME AT (517) 262-9029.

SINCERELY,

BRANDON GLOAR

BRANDON GLOAR
PRESIDENT

ACCEPTANCE OF PROPOSAL _____

ACCEPTANCE DATE _____



5405 East Michigan Avenue | Jackson, Michigan 49201
517-764-7888 | <https://www.lesterbros.com/>

RECIPIENT:

BLACKMAN TOWNSHIP
1996 West Parnall Road
Jackson, Michigan 49201

| | |
|--------------------|--------------------|
| Quote #3159 | |
| Sent on | Oct 16, 2024 |
| Total | \$17,300.00 |

| Product/Service | Description | Total |
|-------------------|---|-------------|
| Labor - Excavator | IMPORT AND PLACE 200 YARDS OF SCREENED TOPSOIL DOWN TO A THICKNESS OF 3". | \$9,800.00* |
| Labor - Excavator | STRIP AND REMOVE SPOILS OFF SITE | \$4,100.00* |
| Labor - Excavator | SEED ENTIRE AREA WITH MDOT MIX OF SEED AND FERTLIZER OR EQUAL SPECS | \$3,400.00* |

This quote is valid for the next 90 days, after which values may be subject to change.

* Non-taxable

| | |
|-------------------------|--------------------|
| Subtotal | \$17,300.00 |
| Sales Tax (6.0%) | \$0.00 |
| Total | \$17,300.00 |

Signature: _____ Date: _____

Bailey Excavating, Inc.
1073 Toro Drive
Jackson, MI 49201
(517) 750-3030

9-Oct-24

Blackman Township

RE: Dog Park

Bailey Excavating, Inc. is pleased to quote the above project, scope of work as follows:

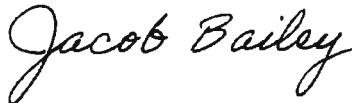
| Work Description | Quantity | Units | Cost | Total Cost |
|-------------------------|-----------------|--------------|-------------|---------------------|
| Mobilization | 1 | LSUM | \$ 2,500.00 | \$ 2,500.00 |
| Strip Topsoil | 2386 | SYD | \$ 3.25 | \$ 7,754.50 |
| Topsoil Restoration | 2386 | SYD | \$ 8.75 | \$ 20,877.50 |
| | | | | \$ 31,132.00 |

Exclusions:

Testing Fees
Staking/Layout
Building Demolition
Landscaping/Irrigation
Utility Relocation
Utility Tap Fees
Underground Foreign Debris
Dewatering
Sod

If you should have any questions or concerns about any of the above listed information please feel free to contact me at any time.

Respectfully,
Bailey Excavating, Inc



Jacob Bailey
Vice President / Estimator

Accepted By:

(Signature)

JWB/rlb

Blackman CT Parks Recreation Capital Plans

| | A | B | C | D | E | F | G | H | I | J | K |
|----|--|--|-------------------|----------------------------|------------------------|--------------|---|---|---|---|---|
| 1 | | | | | | | | | | | |
| 2 | Based upon millage of .25 passed in 2022 for 5 year, \$140,000 / year. Current fund balance of \$590,000 as of 10/8/24 - | | | | | | | | | | |
| 3 | Time period budget projection Thru 2027 | | | | | | | | | | |
| 4 | Project Description | Engineering Cost Estimate | Under Contract \$ | timing / target completion | Engineer support | Contractor | RFQ Status | | | | |
| 5 | | | | | | | | | | | |
| 6 | Target Now | South trail loop North trail loop | \$118,000 | \$167,859.08 | 9/30/2024 9/30/2026 | Jack Ripstra | Isabella Corporation, Mt. Pleasant, Mi. | | | | |
| 7 | | | | | | | | | | | |
| 8 | | Bathrooms Security Camera system | | \$38,966.00 | 3/31/2025 | Jack Ripstra | Boom Concrete, Inc. Cochran electric. | | | | |
| 9 | | | | \$45,000.00 | 11/15/2024 | | | | | | |
| 10 | | Dog run | \$12,000 | | Nov-24 | Jack Ripstra | location to be determined. | RFQ | | | |
| 11 | | Concrete-ADA | \$55,000.00 | | July of 2025 | Jack Ripstra | | RFQ, after bathrooms & pavilion | | | |
| 12 | | Pavilion water & power, pavilion | \$120,000 | | July of 2025 | Jack Ripstra | | 11/1/2024, pavilion will include water & power, by others | | | |
| 13 | | | \$12,000 | | July of 2025 | Jack Ripstra | | estimate | | | |

Blackman CT Parks Recreation Capital Plans

| | A | B | C | D | E | F | G | H | I | J | K |
|----|---|---|-----------|---|-------------------|--|-----------------------------------|-----------------------------------|---|---|---|
| 14 | | Pickleball courts | \$320,000 | | August of 2025 | Jack Ripstra not estimated yet-but projected | RFQ to go out 11/1/2024, 4 courts | RFQ to go out 12/1/2024, 4 courts | | | |
| 15 | | parking lot repairs/replacement & additions | \$100,000 | | late 2026 | not estimated yet-but projected | | | | After completion of Public Safety construction. | |
| 16 | | 2nd pavilion | \$140,000 | | August of 2027 | estimated yet-but projected | | | | After completion of Public Safety construction. | |
| 17 | | park Maintenance | \$25,000 | | annually | not estimated yet-but projected | | | | Bathrooms /mowing / road maintenance /tree work | |
| 18 | | basic playground at office complex | \$25,000 | | September of 2026 | not estimated yet-but projected | | | | | |
| 19 | | Exercise station/ benches on loop | \$5,000 | | June of 2025 | estimated yet-but projected | | | | | |
| 20 | | Maintenance Rod Mills Park | | | | not estimated not | | | | | |
| 21 | | | \$20,000 | | 2025 | estimated not | | | | paint/ stain 4 pavilions- Rod Mills | |
| 22 | | | \$120,000 | | 2026 | estimated | | | | road & parking lot Rod Mills Park | |

Blackman CT Parks Recreation Capital Plans

| | A | B | C | D | E | F | G | H | I | J | K |
|----|---|-------------------------------|-----------------|-----------|------|---------------|---|---|---------------------------------|---|---|
| 23 | | | \$120,000 | | 2027 | not estimated | | | roofs on 3 pavilions- Rod Mills | | |
| 24 | | Field drainage improvements - | \$75,000 | | 2026 | estimated | | | soccer fields at Marino fields | | |
| 25 | | planned Costs | \$ 1,267,000.00 | | | | | | | | |
| 26 | | contracted costs | | 251825.08 | | | | | | | |
| 27 | | three year total | \$ 1,518,825.08 | | | | | | | | |
| 28 | | | | | | | | | | | |
| 29 | | | | | | | | | | | |
| 30 | | | | | | | | | | | |
| 31 | | | | | | | | | | | |
| 32 | | | | | | | | | | | |
| 33 | | | | | | | | | | | |
| 34 | | | | | | | | | | | |
| 35 | | | | | | | | | | | |
| 36 | | | | | | | | | | | |
| 37 | | | | | | | | | | | |

Notes: Cost Estimates were based on input from Jack Ripstra, of Ripstra & Scheppelman, Inc. Licensed Civil Engineers, who consults for Blackman CT. Projects Contracted were based upon competitive Bids on RFQs developed by Jack Ripstra and reviewed by Administrative Committee (Treasurer, Clerk, Supervisor) and approved by the Blackman Charter Township Board.

Township Office Door Replacement Bids:

| | |
|-----------------------------------|----------|
| Rogers Glass, Window & Door, INC. | \$24,995 |
| Jackson Glass Works INC. | \$27,400 |
| Lansing Glass Company | \$34,929 |

PROPOSAL

ROGERS GLASS, WINDOW & DOOR, INC.

470 CAPITAL AVE. S.W., BATTLE CREEK, MI 49015

PH: (269)962-5461 FAX: (269)962-5462

Proposal Submitted To:

Name: Blackman Charter Twp.

Street:

City:

Attn: Peter supervisor@blackmantwp.com

Work To Be Performed At:

Project: Blackman Charter Twp Hall

City: Blackman Twp, MI

Date: 10/17/24

We shall supply and install the following:

Tubelite T14000 2" x 4 ½" Dark bronze thermally broken framing system with subsill flashing to be provided at the following locations:

- Exterior Entry Door Main Level Sidelites
- Exterior Entry Door Basement Sidelite

Tubelite 4500 series 1 ¾" x 4 ½" dark bronze interior framing system to be provided at Interior entry door sidelites.

Doors to be Tubelite Medium Stile Dark Bronze 4'0" x 7'0" with the following Tubelite Standard HD Hardware:

- (2) Exterior Doors
 - 1 ½ Pair Butt Hinges
 - Rim panic with cylinder
 - Pull Handle
 - Threshold/Weathering/Sweeps
 - Automatic Opener
- (1) Interior Door
 - 1 ½ Pair Butt Hinges
 - Offset Pull/Push bar
 - No Lock
 - Automatic Opener

Glass to be 1" Tempered Bronze standard tint over clear at exterior doors and sidelites.

Glass to be ¼" Clear Tempered at interior door and sidelites.

Automatic openers to be Dorma ED100 Low Energy with (2) Wireless Stainless Steel Push Pads each. Dark bronze finish.

We will demo doors and frames at current openings.

All doors and framing to be installed into prepared openings, verified, field measured, exterior perimeter caulked and cleaned.

All electrical/low voltage by others and ready at time of install.

Doors quoted as medium stile. We recommend these for durability with the 4'0" wide doors.

TOTAL: \$24,995.00

DEDUCT \$400.00 for Narrow Stile Doors. We do not recommend for durability with 4'0" wide doors.

Pricing subject to change after 30 days.

All material is guaranteed to be as specified, and the above work to be performed in accordance with the drawings and specifications submitted for above work and completed in a substantial workmanlike manner. Any alteration or deviation from above specifications involving extra costs will be executed only upon written orders and will become an extra charge over and above the estimate. All agreements contingent upon strikes, accidents or delays beyond our control Owner to carry fire, tornado, and other necessary insurance upon above work. Workmen's Compensation and Public Liability Insurance on above work to be taken out by Rogers Glass. * Note: *This proposal may be withdrawn by us if not accepted within 30 days.*

A rectangular area containing a handwritten signature in black ink on a light-colored background. The signature is cursive and appears to read "Ryan Dickey".

Respectfully submitted

Ryan Dickey Estimator

JACKSON
GLASS
WORKS
INC

SALES QUOTE
555 SOUTH COOPER ST.
JACKSON, MI 49201-2271
517-784-0555 || 800-643-7792 Fax: 517-905-5971

Customer #: **BLACKM**

SOLD TO:
Blackman Township
1990 W. Parnall Rd.
Jackson, MI 49201-

JOB:
David Elwell 517-990-8224 C#
Blackman Township
1990 W. Parnall Rd.
Jackson, MI 49201-

Phone: 517-788-4345

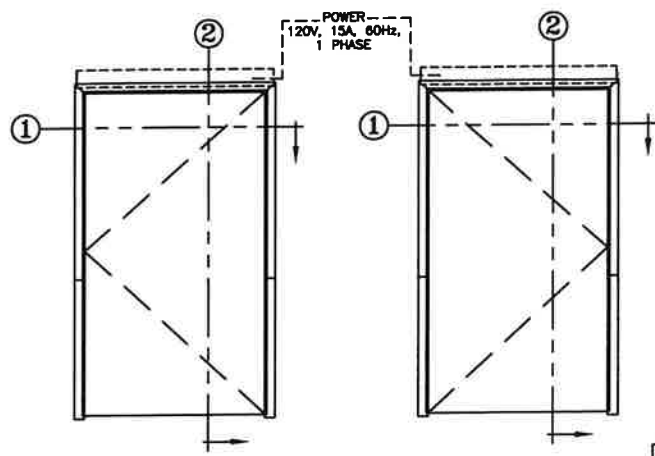
Phone 2:

Fax:

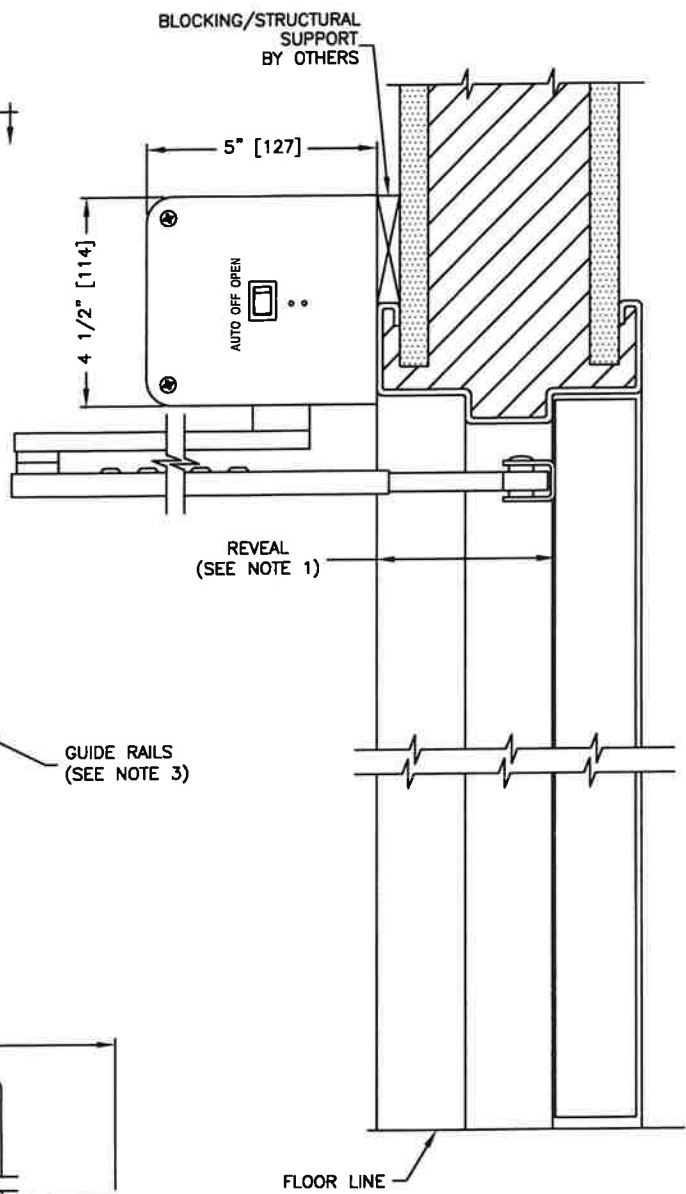
| | | | |
|--------------------------|--|--------------------------|----------------------------------|
| <u>DATE</u> 9/12/2024 | | <u>USER</u> ewilliams | <u>TERMS</u> Net 30 Days |
| <u>REFERENCE</u> | | <u>SALESMAN</u> EW2 | <u>C SALESMAN</u> J1 |
| | | | <u>QUOTE #:</u> 13074 - 1 |

| <u>QTY:</u> | <u>UNIT:</u> | <u>ITEM NO:</u> | <u>DESCRIPTION:</u> | <u>UNIT PRICE:</u> | <u>EXT. PRICE:</u> |
|-------------|--------------|-----------------|--|--------------------|--------------------|
| 0 | EA | CF | Contract Sales We will remove and dispose of three (3) entry doors [2 exterior and 1 interior]. We will provide and install three (3) dark bronze anodized aluminum entry door storefronts. Doors to include 48" doors, butt hinges, 10" bottom rails, standard push bars with offset pull handles, keyed thumb turn locks, sweeps and thresholds. Glass to be 1" insulated, clear, tempered, low-E treated. All doors to receive electronic auto-openers with two (2) wireless push button activators each. *Electrical wiring and access controls by others. *Finish work to include EXTERIOR caulk only. | \$0.00 | \$0.00 |
| | | | Installed price ... \$27,400.00 | | |

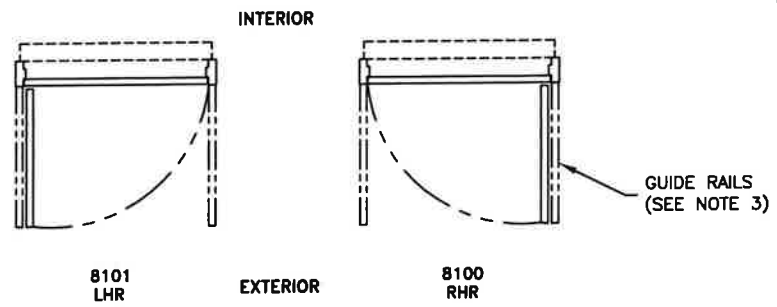
Quote Total: \$0.00
*Tax: \$0.00
Grand Total: \$0.00



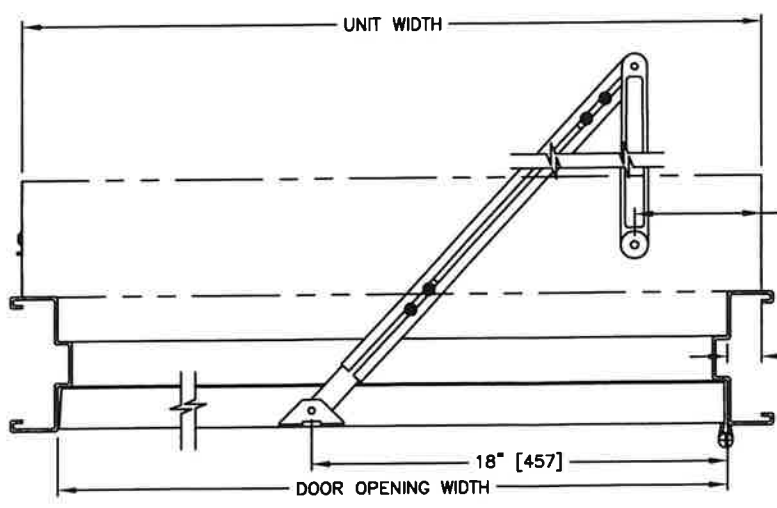
ELEVATION VIEW
 SCALE: 1/4" = 1'0"



SECTION: 2
 SCALE: 1/4 SIZE



PLAN VIEW
 SCALE: 1/4" = 1'0"



SECTION: 1
 SCALE: 1/8 SIZE
 RHR SHOWN
 (LHR OPPOSITE)

- NOTES:
1. DEPTH OF REVEAL UP TO 12" [305]
 2. DIMENSIONS IN INCHES [MILLIMETERS].
 3. SELECTION OF OPERATOR FROM 8100 (LOW ENERGY) TO 8000 (HIGH ENERGY) WILL DETERMINE THE NEED FOR GUIDE RAILS AND SAFETY SYSTEMS AND IS THE RESPONSIBILITY OF THE INSTALLER



330 Baker Street
Lansing, MI 48910-1541
Ph: (517) 374-2888
Fax: (517) 374-9727
www.lansingglass.com

Proposal

Glass and Architectural Aluminum Contractors

Customer:
Blackman Township

Attention:
Pete

Date:
September 30, 2024

Email:
supervisor@blackmantwp.com

Project Name:
Door Replacement

Furnish and Install the following:

(3) Tubelite Medium Stile Doors and frames - dark bronze anodized

Hardware:

Rim Panics
Continuous Hinges
Tormax 1201 Auto Door Operators w/ wireless push buttons
Offset Pull Handles
Sweeps/Threshold
Exterior Cylinder

1" Insulated Glass - Bronze Tempered

Joint Sealants

Includes demolition of existing frames

Electrician would need to bring power to the auto door operators

Excluding: Wood blocking, final cleaning, final keying, electrical/security

Contact:

Bill Griffes

Email: bill@lansingglass.com

Phone: 517.374.2888

This proposal may be withdrawn by us if not accepted within 30 days.

Amount: **\$34,929.00**

**BLACKMAN CHARTER TOWNSHIP
REQUEST FOR BOARD OR COMMITTEE APPOINTMENT**

Mail or personally deliver to: *Blackman Charter Township
Attn: Township Supervisor
1990 W. Parnall Road, Jackson, MI 49201*

The Blackman Charter Township Board of Trustees appoints individuals to numerous Boards and Committees. Persons who wish to serve should complete the following information.

NAME:

JOHNSON RACHEL A
Last First Middle Initial

ADDRESS: 4133 KENZIE BLVD. JACKSON 49201
Street City Zip Code

PHONE: _____ 517-435-9183
(Include Area Codes) Home Business Cell

E-MAIL: raj.email@comcast.net

Name of Board and/or Committees to which Appointment is Requested:

1. Parks & Rec 2. _____ 3. _____

Community Activities/Civic Organizations/Boards/Commissions/Committees:

EMPLOYMENT:

Ingham County 30th Circuit Court Pretrial services Investigator 1/22/2024-Present
Current Employer Position Dates of Employment

EDUCATION:

Please indicate why you are requesting appointment to the Board/Committee:

Asked to become a member

Additional information you feel may be helpful in considering your request for Appointment:

Rachel Johnson
Signature

10/02/2024
Date

Blackman Charter Townships expects attendance at committee meetings of Board Approved members. Other interested parties are welcome to participate, but do not have a vote on action items. Board Approved members may be removed by the Chairperson after three consecutive missed meetings, or five missed meetings within the immediately prior 12-month period. Statutory Board membership removal will be done by the Township Board. Attendance for a rolling 12-month period will be kept for each committee.

Snowplowing bids received:-

Total per plow event:

| | |
|---------------------------|--------|
| Wolverine Sealcoating LLC | \$1535 |
| E.P.M. | \$2540 |
| Brothers Outdoor World | \$3384 |

Snowplowing Agreement

Wolverine Sealcoating LLC

3235 County Farm Road
Jackson, MI 49201
517-962-4261
517-513-8065 Fax

Blackman Charter Twp.
1990 W. Parnell Rd
Jackson, MI 49201
Attn. Peter Jancek

Project: Sidewalk clearing

Thank you for the opportunity to quote your snowplowing needs. This quotation covers 11-1-2023 through 3-31-2024. The following describes your plowing program.

1. Sidewalk over bridge on Airport Road (500') - Snow is to be removed from sidewalks and bridge and piled as directed by twp with use of skid steer. Work is to be done when snow reaches 2".
Price= \$ 70
2. Sidewalk from Maynard road to GCO parking lot (900') – Sidewalk is to be cleared when snow reaches 2". We will use combination of skid steer, Kubota RTV with V-blade, and a broom machine to keep clean.
Price=\$75
3. If business/ Residents in Blackman Twp fail to clean sidewalks and would like us to clean them we could send our Cat skid steer or Kubota out at a rate of \$95 per hour to clear walks.
4. Cooper Street Sidewalks- Sidewalk is to be cleared after snowfall from city limits to end of sidewalk.
Price= \$115
5. County Farm from Airport Road to Blackman Road , both sides of road. Sidewalk is to be cleared when snow reaches 2". We will use combination of skid steer, Kubota RTV with V-blade, and a broom machine to keep clean.
Price- \$400
6. Elm Road Sidewalks in roundabout area. Price= \$140

Thank you,
Kit Wingle

Kit Wingle
President

Date 10-14-2024

Accepted

Date _____

Snowplowing Agreement

Wolverine Sealcoating LLC

3235 County Farm Road

Jackson, MI 49201

517-962-4261

517-513-8065 Fax

Blackman Charter Twp.

1990 W. Parnell Rd

Jackson, MI 49201

Attn. Peter Jancek

Project: Snow clearing

Thank you for the opportunity to quote your snowplowing needs. This quotation covers 11-1-2023 through 3-31-2024. The following describes your plowing program.

1. 1990 W. Parnall Road Township office \$65 Plow / \$65 salt
2. 1996 W. Parnall Road Public Safety \$85 plow/ \$75 salt
3. 1980 W. Parnall Road Fire access- \$45
4. 360 Dettman road Fire and Ambulance office \$50 Plow / \$50 Salt
5. 3585 Lansing Ave Cemetery - \$75
6. Poor Farm Cemetery parking area county farm road. \$30
7. 127 and I-94 interchange sidewalk- \$170
8. Veterans memorial parking area - \$25
9. Price to plow code enforcement walks - \$95 per hour

Thank you,

Kit Wingle

Kit Wingle
President

Date 11-20-2023

Accepted

Date _____

Supervisor

From: Tammie Eilola <tammie@epmofmichigan.com>
Sent: Friday, October 18, 2024 8:56 AM
To: Supervisor
Subject: Bid
Attachments: Blackman Township Snow & Ice Management - Google Sheets.pdf; Terms & Conditions - Snow.docx

Good morning, Pete: Thank you for the opportunity to submit a bid for your Snow & Ice Management Services. Attached is a spreadsheet with our pricing. If accepted by the Board, I'll create contracts and site maps for each location. Our standard terms are Net 30, and invoices are sent at the end of each month. I'm also attaching are our Terms & Conditions page, if you'd like to review that as well.

Let me know if you have any questions.

Best Regards, Tammie

Tammie Eilola Warring, ASM
Business Development Manager
Advanced Snow Manager
Cell 517-206-7708
Office 517-990-0110

www.EPMofMichigan.com



If you've been happy with the services we've provided we'd love a shout out for the world to see!

<https://g.page/r/CZGhYnVpZfZ5EB0/review>

| Location | Plow | Salt | Clear Walks |
|--|----------|----------|-------------|
| 1990 W Parnall Rd Township Office | \$97.00 | \$92.00 | |
| 1996 W Parnall Rd Public Safety | \$122.00 | \$112.00 | |
| 1980 W Parnall Fire Lanes | \$87.00 | | |
| 360 Dettman Fire Station | \$77.00 | \$77.00 | |
| 3585 Lansing Ave Cemetary | \$132.00 | | \$750.00 |
| County Farm Rd Sidewalks | | | |
| Poor Farm Cemetary | \$52.00 | | |
| Cooper Rd Walks & Roundabout | | | \$177.00 |
| Elm Rd Walks & Roundabout | | | \$192.00 |
| Boardman Rd Walks Herbert J to Maynard | | | \$142.00 |
| 127 & 94 Interchange walks | | | \$252.00 |
| Veteran's Memorial Lot | \$47.00 | | |
| Airport Rd Walks Shell Station to Boardman | | | \$132.00 |

Snow & Ice Management General Terms & Conditions:

Termination Clause: This contract may be terminated upon written fifteen (15) day notification by either party. Monies due are payable upon cancellation. Cancellation by client may result in a charge of 8% of remaining contract value.

Transfer: This Agreement may, upon our approval, which approval shall be in our sole discretion, be transferred to a new owner if you should sell your property prior to the intended expiration date of this Agreement, provided however, that such new owner assume all of your obligations under this Agreement, such assumption to be in a form satisfactory to us, in our sole discretion.

Payment Terms: You agree to promptly pay invoices according to terms stated on this contract or your purchase order. Should a payment become delinquent thirty (30) days or more, we may choose to not service your property until payment to bring your account current is received. You understand and accept that delays in payment may result in appropriate legal action being taken to collect monies owed. You understand and agree that costs of such legal action, including without limitations lawyer's fees, costs and expenses of suit or bringing suit, may be passed on to you, and you accept this condition. This contract shall be binding, inure to the benefit of the parties and their heirs, executors and administrators, and assigns. In the event of non-service due to delinquent status, you assume all liability in the event of a snow or ice related incident or accident. When your account is brought current and service resumes, additional charges may be applied to bring facility back to safe standards according to this contract.

Fuel Surcharge: Due to the volatile nature of fuel costs, we may need to add a fuel surcharge to your invoices. You will be notified 10 days in advance of fuel charge percent or fixed amount.

Site Damage, Reporting & Repair: We will repair any lawn or other normal snowplow operations damage caused by us during the course of our work if the Preseason Site Survey and Staking service is approved by you. This includes damages to lawn, curbing, signage, or other obstacles which could be avoided during servicing. We are not responsible for damages to lawn, curbing, signage, or other obstacles near service areas if you do not approve our Preseason Site Survey and Staking Service. You agree to notify us within 24 hours of service, with supporting documents, of damage, above that which is normal during snowplow operations. We may not be responsible for damages if not properly notified. In the event we are directed by you to plow, push or stack snow in unpaved or lawn areas, we will not be responsible for lawn damage and post season repair will not be completed. If there are obstacles or objects in service areas that cannot be removed or clearly marked for visibility prior to service we are not responsible for damage that may occur. This includes fuel caps, manhole covers, parking bumpers, and speed bumps.

Blizzard Clause: This agreement covers total snowfall during a 24-hour period of 10.0 inches or less. In the event of blizzard like conditions, clearing of snowfall exceeding 10.0 inches may be billed on a time and material basis according to our current equipment rate, man hour rate and material rate.

employed by you, or for anyone whose act you may be liable, then, to the fullest extent permitted by law, you will defend, indemnify and hold harmless our representatives and us from and against these claims, damages, losses, and expenses including, but not limited to, attorney's fees arising out of or resulting from the performance of our work under this Agreement.

Severability: Any provision of this Agreement that in any way contravenes the law of any state or country in which this Agreement is effective will, to the extent the law is contravened, be considered separable and inapplicable and will not affect any other provision or provisions of this Agreement.

Finally:

By signing below both parties agree they are acting as an agent for their company and have authority to approve this contract. Both parties agree to obligations within the attached Agreement, including the contract Terms & Conditions, Scope of Work, and Pricing. No person has authority to make any claim, representation, promise or condition on our behalf that is not documented within the attached Agreement. All work to be completed in a workmanlike manner according to standard practices. Any alteration or deviation from the above specifications involving extra cost will become an extra charge over and above the estimate.



BLACKMAN TOWNSHIP OFFICES
1990 WEST PARNALL ROAD
JACKSON, MICHIGAN 49201

Sales: Bryan Beebe

1990 West Parnall Road-Snow Plowing

1990 West Parnall Road Jackson, Michigan 49201

Est ID: EST2757966

Date: Oct-07-2024

| Winter Service Address | Visits | Billing Type | Visit Price | OK? |
|---|--------|--------------|-------------|--------------------------|
| 1990 W Parnall rd Lot Plow | 15 | Per Visit | \$110.00 | <input type="checkbox"/> |
| 1990 W Parnall rd Lot Salt | 35 | Per Visit | \$64.00 | <input type="checkbox"/> |
| 1996 W Parnall rd Lot Plow' service in this estimate. | 15 | Per Visit | \$175.00 | <input type="checkbox"/> |
| 1996 W Parnall rd Lot Salt | 35 | Per Visit | \$100.00 | <input type="checkbox"/> |
| 3585 Lansing Ave. FiField Cemetery | 15 | Per Visit | \$45.00 | <input type="checkbox"/> |
| 1980 W Parnall rd Lot Plow | 15 | Per Visit | \$50.00 | <input type="checkbox"/> |
| 1980 W Parnall rd Lot Salt' | 15 | Per Visit | \$35.00 | <input type="checkbox"/> |
| 360 Detman Rd Lot Plow | 15 | Per Visit | \$50.00 | <input type="checkbox"/> |
| 360 Detman Rd Lot Salt | 15 | Per Visit | \$35.00 | <input type="checkbox"/> |
| County Farm Road sidewalks from Airport Road to Blackman Rd | 15 | Per Visit | \$1,185.00 | <input type="checkbox"/> |
| Poor Farm Lot Plow | 15 | Per Visit | \$50.00 | <input type="checkbox"/> |
| Cooper St. sidewalks in roundabout area | 15 | Per Visit | \$165.00 | <input type="checkbox"/> |
| Boardman Rd sidewalk from Herbert J to Maynard St. | 15 | Per Visit | \$40.00 | <input type="checkbox"/> |

Brothers Outdoor World LLC / Sunset Pools of Michigan LLC.
 3055 Springport Rd
 Jackson, Michigan
 49201

P.517-768-7400

brothersoutdoorworld.com

bryan@brothersoutdoorworld.com

| Winter Service Address | Visits | Billing Type | Visit Price | OK? |
|---|--------|--------------|-------------|--------------------------|
| 127 & I-94 interchange sidewalk Boardman Rd. to 1691 Springport rd. | 15 | Per Visit | \$700.00 | <input type="checkbox"/> |
| Elm Rd. sidewalks in roundabout area | 15 | Per Visit | \$460.00 | <input type="checkbox"/> |
| Veterans memorial parking area at Bondsteel and Universal Way | 15 | Per Visit | \$35.00 | <input type="checkbox"/> |
| Airport sidewalk over I-94 from shell station to boardman rd. | 15 | Per Visit | \$85.00 | <input type="checkbox"/> |
| 15 plus contract with 5% discount | 1 | Per Visit | \$51,266.75 | <input type="checkbox"/> |

PLEASE CIRCLE YOUR BILLING PREFERENCE:

-Bill as Services Provided- -Monthly Billing-

Upon the acceptance of the work, payment of the unpaid balance Contract Price when due together with such Value Added Taxes as may be applicable to such payment.

- Should the Client fail to make payments as they become due under the terms of the Contract or in the event of any claim, interest at twelve percent (12%) per annum above the prime rate on such unpaid amounts shall also become due and payable until payment.
- The act of non-payment creates a lien in favor of the Contractor Inc. in any and all equipment and property of the Client in the possession of the Contractor Inc. as well as in the Work in progress as at the date of termination, the Contractor Inc. shall be at liberty to retain possession of the same pending payment in full.
- Notwithstanding anything contained herein to the contrary, the completion date of the Work shall be deemed to be extended by that number of days equal to any delay in payment to the Contractor Inc.

Estimate authorized by:  Estimate approved by: _____
 Bryan Beebe

Signature Date: 10/09/2024 Signature Date: _____

Email: bryan@brothersoutdoorworld.com

RECOMMENDATION TO THE BOARD
10-21-2024

SUBJECT: RFQ Bid Selection

The Administrative Committee received three bids on the RFQ package approved at the September 16, 2024, Board meeting. After a detailed review of the packages, we applied scoring of the three firms with the following ranking in order of points earned.

1. AE Design 98 points.
2. Jones Construction 81 points
3. Oharrow. 76 points

A spread sheet showing criteria and points awarded is included.


The Administrative Committee met with each of the companies to review their respective quotes, and to review questions we had for each. A specific review of the Management % was discussed in detail to assure we understood the proposals presented.

Additional discussions of types of buildings, current work levels, anticipated monitoring of the project were discussed.

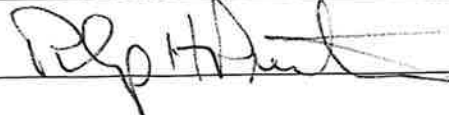
The Administrative Committee determined AE Design is our recommendation, based upon:

1. Points
2. % Management fees
3. Size, meaning smaller, hands-on ownership of the details at all levels, fewer handoffs.
4. Established good working relationship that has always focused on what's best for the Township, and the business located in the Township (also in the points).
- 5.

Jones Construction is second based upon more office, library, type of work, less industrial focus, strong project management, and points.

Pete Jancek  Date 10-18-24

Dave Elwell  Date 10-18-24

Phil Preston  Date 10/18/24

Questions on RFQ for each candidate:

AE Design:

Mgmt. Fees:

What all is included?

What is the rationale for 7-9.5%?

What triggers the variation? Are you thinking a flat \$ and if it goes higher, the % is lower?

-Contingency Plans: what if something happens to either of you Principals?

-Current work on the books / pending? Capacity to handle ?

Oharrow:

Ability /Expertise:

You show Construction engineers and focus on site management. Seems focused on large buildings. What strength in Architectural / design, and experience with buildings similar to our needs?

Experience with similar scope:

Again, focus on Alro, crane seems specialty. What experience with work similar in nature?

Mgmt. Fees:

Is EVERYTHING covered? Engineering, Design Architecture, Construction Management?

Jones Construction:

Mgmt. Fees:

If we understand your fee structure, the total fees, start to complete, will total 17%

Do we understand this correctly?